

GPS sensor

JLR-4350



High-Accuracy Positioning with Multi-GNSS* Sensor

- Achieve stable positioning with signals of up to 22 satellites
- Quick positioning capability
- Complies with the output format of NMEA 0183 and IEC 61162-1

* GPS, GLONASS, BeiDou, SBAS

Features

Realized High-Accuracy Positioning with Multi-GNSS Compatible

It corresponds to four satellite systems of GPS, GLONASS, BeiDou and SBAS, and high-accuracy positioning than single positioning by GPS is possible.

Up to 22 Satellite Signal Trackable *1

The Newly designed multi-GNSS compatible sensor allows simultaneous receiving of signals of up to 22 satellites, and achieves stable positioning.

Quick Positioning Capability

Typically 4 seconds*2 for first position fixing without GPS almanac data. Positioning completes in 35 seconds*3 after power on even if the receiver has been left powered off for a long time.

Complies with the Output Format of NMEA 0183 and IEC 61162-1

It corresponds to NMEA 0183, IEC 61162-1 format which is standard of navigation equipment. NMEA 0183 is compatible with versions 1.5, 2.1, 2.3, and 4.0, and can be connected to radar, fish finder, plotter, etc.

Specifications

| | |
|--|---|
| Sensor type | Multi-GNSS (GPS/GLONASS/BeiDou/SBAS) |
| Maximum number of tracked satellites | 22 Satellites |
| Frequency | 1575.42 MHz±1 MHz (C/A code) GPS/SBAS |
| | 1598.063 – 1605.375 MHz (FDMA) GLONASS |
| | 1561.098 MHz±2 MHz (B1) BeiDou |
| Sensitivity | Less than -144 dBm |
| Time to first fix | Typically 35 seconds (cold start fix) |
| | Typically 33 seconds (warm start fix) |
| | Typically 4 seconds (hot start fix) |
| Position update | Normally every 1 second |
| Data output | Selection among NMEA 0183, IEC 61162-1 Selection among NMEA 0183 version 1.5, 2.1, 2.3, 4.0 (default: version 1.5) |
| Geodetic datum | Selection among 48 geodetic datum (default: WGS-84) |
| RAIM function *4 | Built-in |
| Power supply voltage/ Power consumption | 12/24 VDC /less than 1.0 W |
| Operating temperature | -25 °C - +55 °C |
| Mass | Approx. 1.2 kg |
| Protection rate | IP56, IEC60945 Ed.4 conformant |

Accuracy

| Combination for Multi-GNSS | Accuracy (2DRMS) |
|----------------------------|------------------|
| GPS+GLONASS | 4 m |
| GPS+BeiDou | |
| GPS+SBAS | |
| GPS | 5 m |

• Specifications may be subject to change without notice.

Components

Standard Components

| Name | Model | Q'ty | Notes |
|--------------------|-----------|------|---|
| GPS sensor | JLR-4350 | 1 | Including 15m (49.5ft) cable with connector |
| Instruction manual | 7ZPNA4693 | 1 | |
| Cable guard rubber | MPPK31468 | 1 | |

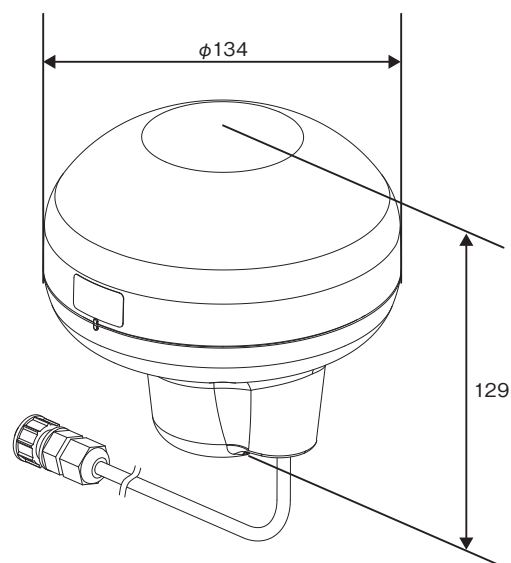
Option

| Name | Model | Notes |
|-----------------|------------|--------------------------|
| Screw adapter | MTV302007A | |
| Mounting band | MPBP02520 | |
| Extension cable | CFQ-9000 | 15m cable with connector |

Dimensions

 Unit: mm

Mass: Approx. 1.2 kg



* 1: Can not receive GLONASS and BeiDou at the same time.

* 2: Hot start fix

* 3: Cold start fix

* 4: RAIM: Receiver Autonomous Integrity Monitoring

For further information, contact:



Since 1915

Japan Radio Co., Ltd.

URL <https://www.jrc.co.jp/eng/>

Tatsumi Office: 7-32, Tatsumi 1-chome, Koto-ku, Tokyo
135-0053, Japan
Telephone: +81-3-5534-1207
Facsimile : +81-3-5534-1199

Overseas Branches : Athens, Manila
Liaison Offices : Taipei, Hanoi, New York
Overseas Subsidiaries : Busan, Shanghai, Singapore
Jakarta, Rotterdam, Egersund
Houston, Rio de Janeiro

36EM

ISO9001, ISO14001 Certified