

# JRC

## COLOR LCD PLOTTER-FISH FINDER PLOT 500F



### Features

- 6.5-inch Daylight viewable Color TFT Display.
- Graphical display of Wind direction, Wind speed and VMG(need NMEA data), Tide graph and Port service guide by C-MAP CF95 C-card.
- Edit Waypoints and Routes on Customer's PC using RS232C Interface.(Option)
- 50kHz/200kHz Dual Frequency Operation.
- 600Watts rms, 4800Watts p-p Transmitting Power.
- Automatic setting of optimum range and sensitivity.

**JRC** *Japan Radio Co., Ltd.*

## SPECIFICATIONS

### General:

Display	6.5-inch Color LCD (TFT)
Resolution	234 x 320 pixels
Units	Depth: Meter, Feet, Fathom, Special Unit Speed/Distance: KTS/NM, KPH/Km, MPH/SM Water Temperature: , °F
Alarms	Fish, Shallow, Deep, Temp Upper, Temp Lower, Temp Rate Arrival, Anchor, Off Course, Zone
Nav Interfaces	Speed Upper, Speed Lower, Trip, Time, Count Down GPS x 1 (Direct Connection To GPS112 or DGPS212 or JLR-10) NMEA0183 x 1 <small>(Input sentences: GGA, RMC, GLL, VTG, MTW, HDT, HDG, HDM, VWR, VWT, MVW) (Output sentences: GGA, RMB, RMC, GLL, VTG, APB, BWC, BOD, XTE, DPT, DBT, MTW)</small>
PC Interfaces	RS-232C (for PC interface: Option)
Simulator	Built-In
Power requirements	12V/24V DC
Power consumption	approx. 25W
Water Resistance	IPx5 (IEC 60529)

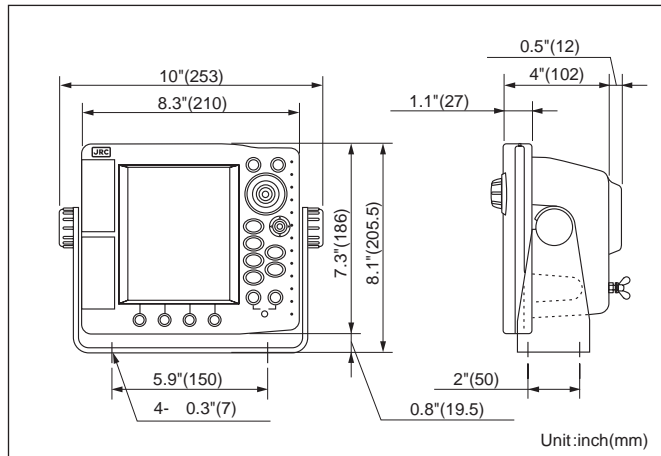
### Chart Plotter Section:

Display Mode	1)Chart Plotting 2)CDI/COMPASS 3)Numeric Data 4)Wind Direction
Chartgraphic data	C-MAP micro C-cartridge (2 slots)
Chart Scale	1/1000 to 1/17,000,000 (if chartgraphic data is available)
Waypoints	1000waypoints
Routes	40routes (100waypoints/route)
Marks	10000points (total including vessel's track)

### Fish Finder Section:

Display Mode	1)Standard (LF, HF, Dual Frequency) 2)STD/A-scope (LF, HF, Dual Frequency) 3)STD/Zoom (LF, HF) 4)STD/Auto Zoom (LF, HF) 5)STD/Bottom Lock (LF, HF) 6)Bottom Discrimination (LF, HF)
Range	10-5,000ft, 5-1,500m, 3-1,000fm (Auto/Manual)
Shift	0-3,000ft, 0-1,000m, 0 ~ 600fm (Auto/Manual)
Frequency	50KHz/200KHz (Dual Frequency)
Transmitting Power	4,800watts p-p (600Wrms)

## OUTLINE DRAWING

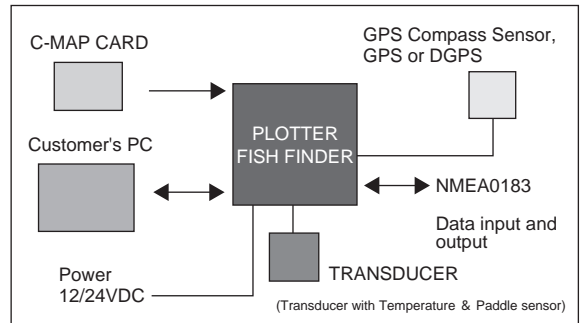


For further information, contact:

**JRC Seattle Branch:** 1011 SW Klickitat Way Bldg. B,  
Suite 100, Seattle, WA98134, U.S.A.  
Telephone: +1-206-654-5644  
Facsimile: +1-206-654-7030  
Homepage <http://www.jrcamerica.com>

**JRC Amsterdam Branch:** Cessnalaan 40-42, 1119 NL,  
Schiphol-Rijk, THE NETHERLANDS  
Telephone: +31-(0)20-658-0750  
Facsimile: +31-(0)20-658-0755

## SYSTEM CONFIGURATION



## COMPONENTS

Description	Model Name	Qty	Remarks
Plotter Fish finder	JLS-500	1	See below the item
Transducer	CFT-2501TFA(Transom)or CFT-2501HFA(Through Hull)	1	
Power Cable	CHQ-6382	1	Length 1.5m
Sun Cover	MTV 303227	1	
Spare parts	5ZPAD 00362	1	
Instruction Manual	7ZPBS 2107	1	
Mounting Screws		4	

## TRANSUDCERS

Model Name	Frequency	Remarks
CFT-2501TFA	50KHz/200KHz (Dual Frequency)	Transom type with Speed & Temp sensor
CFT-2501HFA	50KHz/200KHz (Dual Frequency)	Through Hull type with Speed & Temp sensor

## OPTIONAL ACCESSORIES

Description	Model Name
GPS Sensor Unit	GPS112
DGPS Sensor Unit	DGPS212
GPS Compass Sensor Unit	JLR-10

**JRC** *Japan Radio Co., Ltd.*  
Since 1915 URL <http://www.jrc.co.jp/>

**Main Office:** Akasaka Twin Tower(Main), 17-22,  
Akasaka 2-chome, Minato-ku, Tokyo 107-8432, JAPAN  
Sales Section 3

Telephone: +81-(0)3-3584-8833

Facsimile: +81-(0)3-3584-8757

**Overseas Branches : Seattle, Amsterdam**

**Liaison Offices : Taipei, Pusan, Manila, Bangkok,  
Singapore, Jakarta, New Delhi, New York, Piraeus,  
Las Palmas**

20EM

ISO9001, ISO14001 Certified