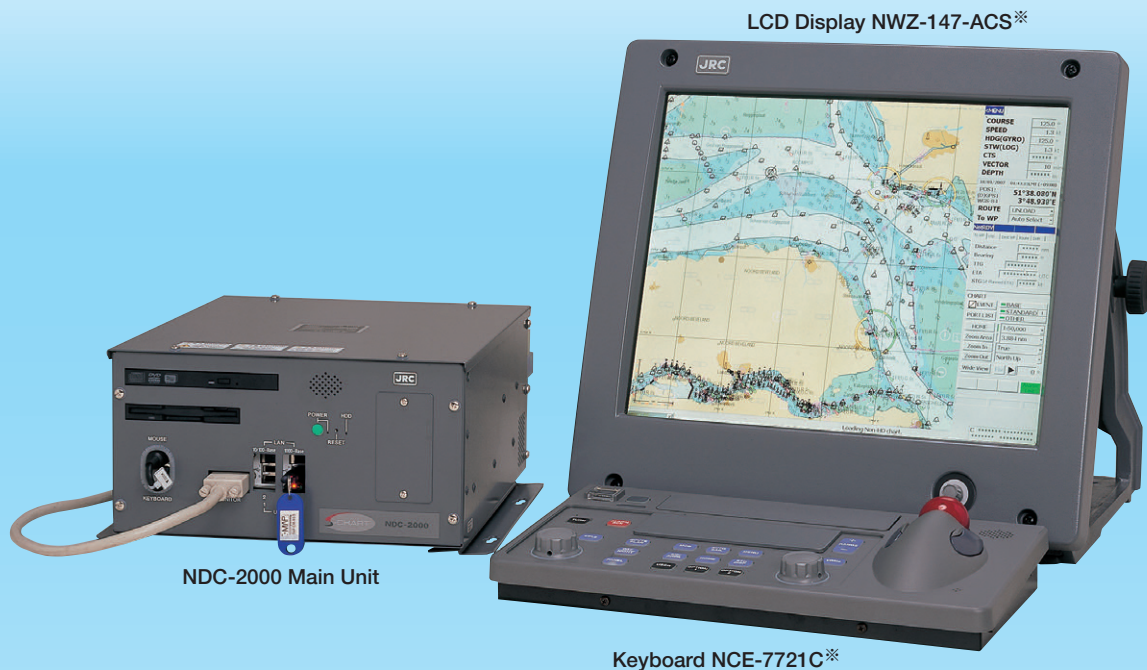




# SIMPLIFIED CHART DISPLAY

## NDC-2000



\* The LCD display and the keyboard are options.

### FEATURES

- Displays vector charts such as S-57 and C-MAP, and raster chart as ARCS.
- Safe navigation ensured by the crossing alarm function for safety contours, dangerous area and the guard ring function (not available for ARCS).
- ARPA and AIS information can also be displayed in overlay in a chart.
- Ease of operation supported by high-speed drawing and processing.
- Heavy duty design to realize high-reliability operation for maritime use (in compliance with IEC-60945 ver. 4).
- The dedicated LCD display with high visibility and the keyboard with superior operability are optionally available.



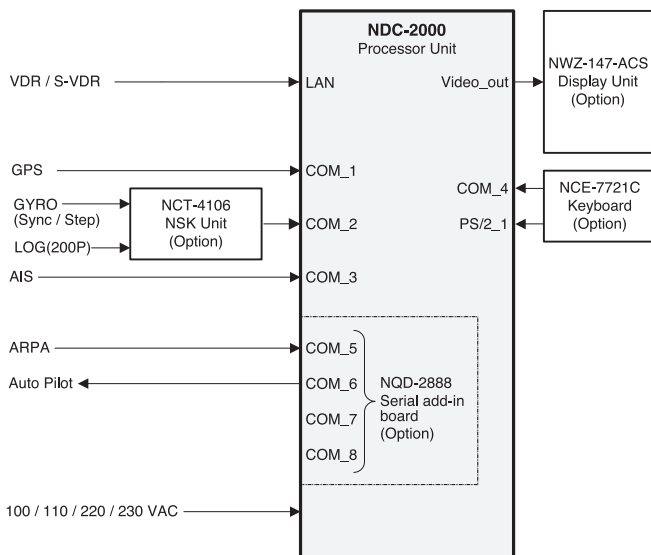
Japan Radio Co., Ltd.

# NDC-2000 BASIC SPECIFICATIONS

Model	NDC-2000	
Power supply	100/110/220/230VAC ±10% 50/60Hz ±5%	
Power consumption	100W max. 60W in average	
Environmental conditions	Operating temperature	-15°C to +55°C
	Operating humidity	93% at 40°C
	Storage temperature	-25°C to +70°C
External input/output	VIDEO output	Analog RGB × 1 (D-Sub 15 pin) SXGA: 1280 × 1024 pixels (60Hz)
	LAN	Ethernet 10/100 base-T × 1 port
	USB	2 port
	PS/2	2 port
	IEC-61162-1	RX : 4 port, TX : 3 port.
Media	DVD-R	Built in
	3.5" FDD	Built in
Chart display functions	Displayable charts	Vector chart : ENC, C-MAP Ed2/Ed3* Raster chart : ARCS
	Display modes	Motion mode: TM/RM Presentation mode: North-Up/Course-Up/Rotation (Setting direction up)
	Chart scale	1/1,000 to 1/75,000,000
	Range	0.125 to 120nm
Route planning functions	Route editing, alternative route editing and safety check on planned route	
Navigation monitoring functions	Monitoring of own ship's position, safety depth contour crossing, approach to obstacle/exclusion area, off-route, waypoint arrival, off-course and drifting	
Other ships display on ARPA	60 targets max.	
Other ships display on AIS	200 targets max.	
Automatic navigation function	Corresponding Autopilot: YDK, TOKIMEC *Not corresponding TCS	
Other functions	Multi-view, scrolling, semi-automatic chart update, data recording (90 days max.), printing of screen/route/log book	
Accessories	Instruction manual	7ZPNA4011 (English)
	Extra manual	7ZPNA0506 (English)
Options	Dedicated LCD display	NWZ-147-ACS
	Dedicated keyboard	NCE-7721C
	NSK unit	NCT-4106
	Serial interface extension unit	BQD-2888 (IEC-61162-1 transmit/receive port × 4 port)
	PC keyboard	PCP-ACK-595US-PS2-R/5EZKT00022
	Trackball	ST-45UPI/5EZLY00003
	C-MAP Ed3 upgrade kit	MPXP33436

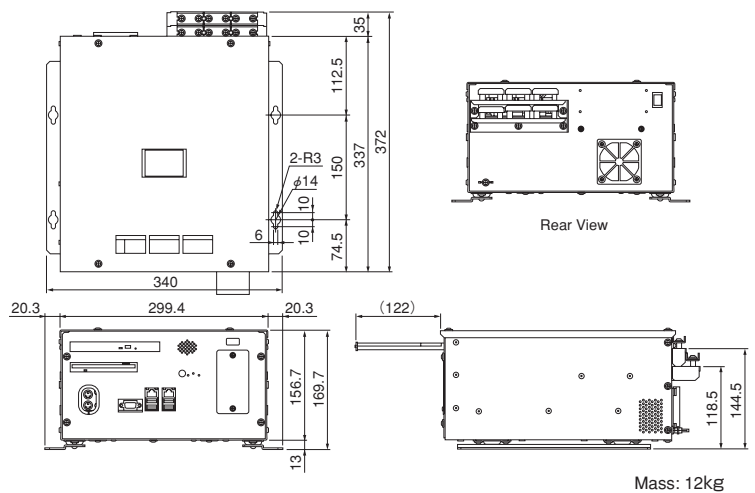
\*C-MAP Ed3 is option.

## SCHEMATIC DIAGRAM (Recommended)



• Specifications may be subject to change without notice.

## DIMENSIONS AND WEIGHT



For further information, contact:



Since 1915

**Japan Radio Co., Ltd.**

URL <http://www.jrc.co.jp/eng/>

**Main Office:** Nittochi Nishi-Shinjuku bldg.  
10-1, Nishi-Shinjuku 6-chome  
Shinjuku-ku, Tokyo 160-8328, Japan  
Telephone: +81-3-3348-4099  
Facsimile: +81-3-3348-4139

**Overseas Branches :** Seattle, Amsterdam, Athens  
**Liaison Offices :** Taipei, Manila, Jakarta, Singapore,  
Hanoi, Shanghai, New York



ISO9001, ISO14001 Certified