

JRC UHF/FM ON-BOARD COMMUNICATION EQUIPMENT



CATALOGUE NO.Y6-7

- Multichannel Operation
- Tone Squelch Available
- Type Approved by MPT, Japan



JHS-410A/412P JHP-44E01T
PORTABLE STATION

- Intrinsically Safe, Explosion-Protected, Dripproof Type (JHP-44E01T)
- Non Explosion-Protected, Waterproof Type (JHS-410A/412P)
- Easy to Charge
- Headset Available



JHS-400A BASE STATION

- Remote Controllable
- Easy Maintenance
- Connectable to Public Addresser
- Flush-Mount Type Available
- Intercom Function with Remote Controller



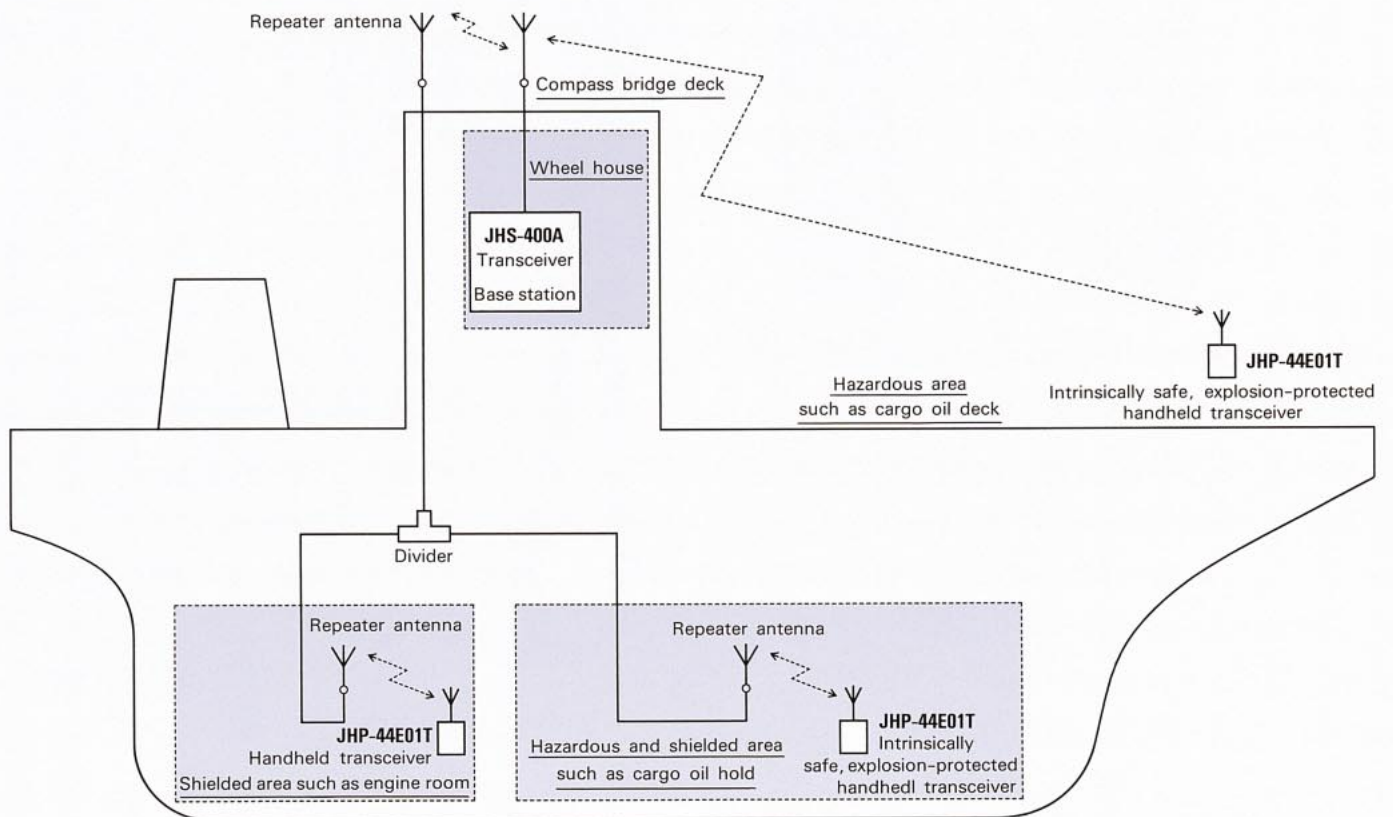
Japan Radio Co., Ltd.

400MHz BAND ON-BOARD COMMUNICATION SYSTEM

The JRC 400MHz-band on-board communication system consists of several portable stations, base station, and repeater antenna system. The portable stations, which are several handheld transceivers, enable to communicate each other from any working areas. The base station expands the communication range of portable stations. The repeater antenna system relays radio signals between two or more areas shielded each other by ship's bulkhead to expand communication areas.

JRC On-Board Communication Equipment

- 1. JHP-44E01T :** Intrinsically safe, explosion-protected type handheld transceiver designed for use in hazardous area in oil, LPG, or LNG tanker etc.
- 2. JHS-410A/412P :** Non explosion-protected type handheld transceiver for use in the ordinary area.
- 3. JHS-400A :** Base station transceiver with various options such as remote controller, and tone squelch etc.
- 4. Repeater Antenna :** Non-boosted antenna system which enables smooth communication between two or more areas shielded each other by the ship's bulkhead, allowed to install in hazardous areas because of no energy requirement.





SPECIFICATIONS

Item	Model	Portable Station			Base Station
		JHS-410A	JHS-412P	JHP-44E01T	JHS-400A
Operating frequencies		457.525 MHz 457.550 MHz 457.575 MHz	467.600 MHz 467.6125MHz 467.625 MHz		457.525 MHz 457.550 MHz 457.575 MHz
Type of emission and power output		F3E, 1 W			
Rated audio output		200 mW at 8 Ω		200 mW at 16 Ω	2 W at 4 Ω
Tone squelch signals		Max. 2 signals			Max. 4 signals
Power requirement		7.2 VDC Ni-Cd battery		10 VDC Ni-Cd battery	100/110/115/120/200/220/ 230/240 VAC, 50/60 Hz,
Duty cycle and battery life		At the ratio of 1 (transmit), 1 (receive) and 18 (standby) Approx. 10 hrs.			Transmit Approx. 50VA Receive Approx. 22VA Stand-by Approx. 19VA
Construction		Waterproof		Intrinsically safe, explosion-protected	Bulkhead or panel flush type
Environmental		Temperature: -10°C to +50°C Humidity: Up to 95% at +35°C			
Antenna impedance		50 Ω			

COMPOSITION

1. PORTABLE STATION

Intrinsically Safe, Explosion-Protected, Dripproof Type

Component	Model	Remarks
Handheld Transceiver	JHP-44E01T	With carrying case, strap, Ni-Cd battery and antenna

Non Explosion-Protected, Waterproof Type

Component	Model	Remarks
Handheld Transceiver	JHS-410A	With carrying case, strap, Ni-Cd battery and antenna
	JHS-412P	

OPTIONS

Component	For JHP-44E01T	For JHS-410A/412P
Battery Charger	* NBB-146	NBA-4141
Reserve Battery Pack	NBB-143	NBB-248
Shoulder Antenna	NAU-11	
Headset	UMFD-35 UMFD-36	NVZ-60
External Speaker-Microphone	UMFD-37	6UMJD00029
Helmet set		NVZ-74
Ledge for Battery Changer	NZB-47	NZB-90,91,92,93,94,95

Note*: Not allowed to be used in hazardous area.
When ordering, please designate the input voltage from 100, 110, 115, 120, 200,220, 230 or 240 VAC.

2. BASE STATION

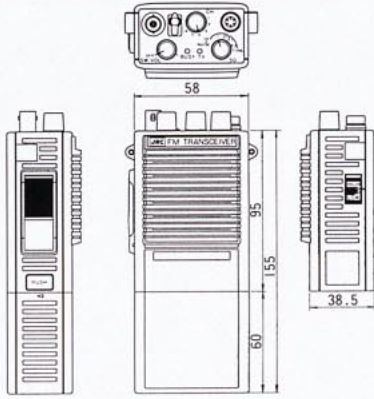
Component	Model	Quantity	Remarks
UHF Transceiver	JHS-400A	1	Bulkhead-mount type with handset
Antenna	NAU-6	1	Sleeve type dipole
Coaxial Connector	N-P-10U	2	
Spare Fuse	MF60 NR3.15A	2	

OPTIONS

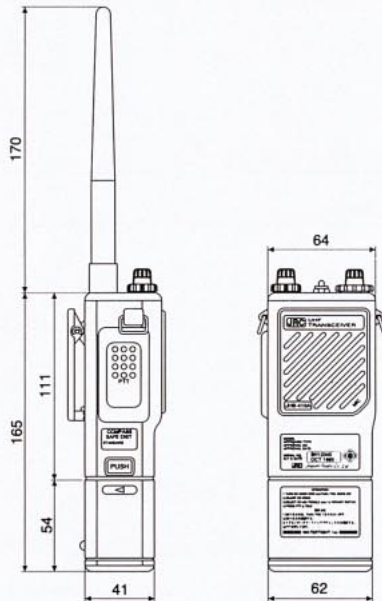
Component	Model	Remarks
Remote Controller	NCE-6019	Bulkhead-mount type : Max. two remote controllers are available With two fuses and one handset
Flush-mount fittings	4P16496	For transceiver and remote controller(s)
Antenna	NAU-6 NAU-17	Sleeve type dipole Flexible type for indoor use with BNC connector
	FB-400N	Flexible type for indoor use with N connector
Coaxial Connector	N-P-10 N-LP-10U	For spare For flush-mounting
Microphone Microphone Connection Box	6UMJD00028 NQE-949	With microphone hook Flush-mount type for indoor use
Handset Handset Connection Box Handset Holder Handset Hook	HS6000J5 NQE-847	For additional or spare use Flush-mount type for indoor use
	MPBP00127 UBP-51-10	
Antenna Multicoupler	D2-4501 D3-4501	For two lines For three lines
External Loudspeaker	NVS-423 NVS-423A	Bulkhead-mount type Flush-mount type
Coaxial Arrester	NYZ-400H	
Antenna Jack Panel	MPJC00683A	
Coaxial Cable	RG-10U/Y	Length as required
DC/AC Inverter	TR1-1	Input:24VDC, 100VAC Output:100VAC, 100VA
	TR1-2	Input:24VDC, 220VAC Output:220VAC, 100VA



DIMENSIONS(mm) & WEIGHT

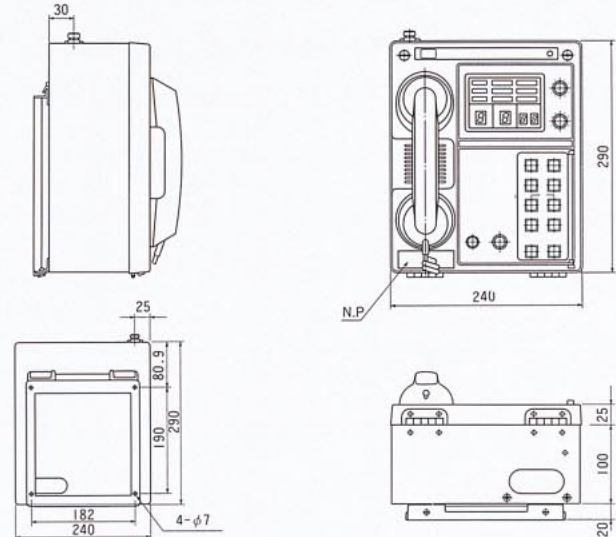


Handheld Transceiver JHP-44E01T
Weight : Approx. 550g



Handheld Transceiver JHS-410A/412P
Weight : Approx. 600g

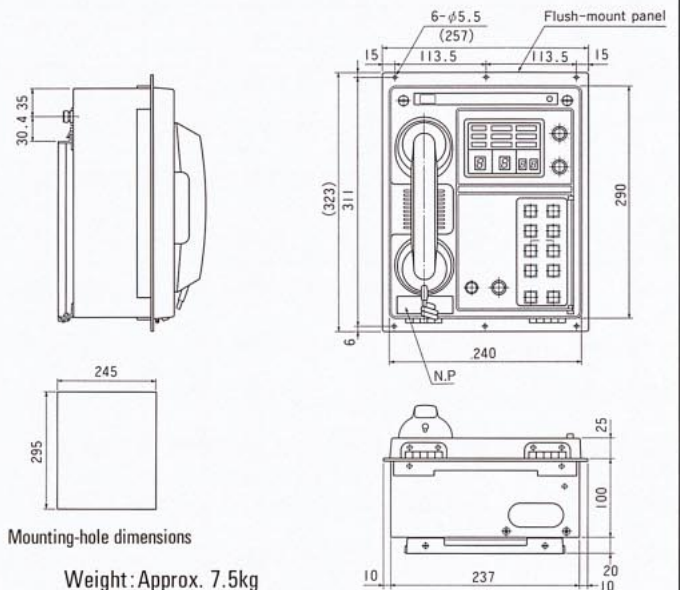
Base Station JHS-400A (Bulkhead-mount type)



Mounting dimensions
(rear view)

Weight: Approx. 7kg

Base Station JHS-400A (Flush-mount type)



Mounting-hole dimensions

Weight: Approx. 7.5kg

Specifications subject to change without notice.

For further information, contact:

JRC *Japan Radio Co., Ltd.*

Since 1915 JRC Homepage <http://www.jrc.co.jp/>

Main Office: Akasaka Twin Tower(Main), 17-22, Akasaka 2-chome, Minato-ku, Tokyo 107, JAPAN
Telephone: Tokyo(03)3584-8789, 8832

Facsimile: Tokyo(03)3584-8795

Telex: 2425420 JRCTOK J Cable: JAPANRADIO TOKYO

Overseas Branches : New York, Seattle, London

Liaison Offices : Kaohsiung, Manila, Bangkok, Singapore, Jakarta, New Delhi, Rotterdam, Piraeus, Las Palmas, Rio de Janeiro



ISO 9001

Certificate No. JQA-0519

Certificate No. FM 30249



16EM