

JRC GPS RECEIVER

GPS 112



- 12-Channel Parallel for simultaneous reception of 12 satellites.
- Quick Position Fixing
- NMEA0183 Output



Japan Radio Co., Ltd.

■ FEATURES

12-Channel Parallel for Receiving 12 Satellites Simultaneously

The GPS112 is designed to simultaneously receive signals from 12 orbiting satellites, ensuring the most accurate positioning.

Quick Position Fixing

Typically 45 seconds for first position fixing without GPS almanac data.

Conversion to NMEA0183 Output

Since the NMEA0183 output data is changeable between version 1.5 and version 2.1, you can connect the GPS112 to various Marine Electronics Equipment such as Marine Radars, Fishfinders, Plotters, or others.

Internal DGPS Function

By using a Beacon Receiver simultaneously, the GPS112 provides very highly accurate positioning.

■ SPECIFICATIONS

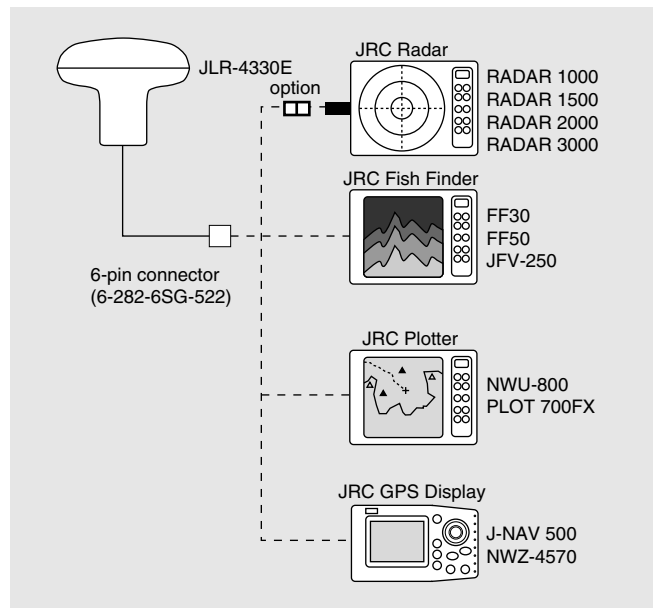
Receiver type	:Multichannel (12-CH) all-in-view
Frequency	:1575.42MHz ± 1MHz(C/A code)
Sensitivity	:-130dBm for acquisition, -133dBm for tracking
Accuracy	:15mRMS(C/A code, HDOP<4)
Time to first fix	:Typically 45 seconds (cold start fix) Typically 30 seconds (warm start fix)
Position update	:Normally every 1 second
DGPS input	:RTCM SC-104 ver. 2.0 type 1,2,7,9 available
Data output	:Signal output port NMEA0183ver.1.5 or 2.1 selectable ver1.5 GGA, RMC, GLL, VTG, PJRCDDGP0,PJRCDDGP1, PJRCDDGP2 ver2.1 GGA, RMC, GLL, VTG, GSV, GSA, PJRCDDGP3, DTM, MSS
Geodetic datum	:46 (WGS-84, WGS-72, Japan, America, Canada / Alaska, Europe, Australia, England, NAD-83, other 37 selectable)
Input voltage (Power Consumption)	:10.8~16VDC (less than 3W)
Data cable	:6-core cable, 15m
Operating temperature	:-25°C to 70°C
Water proof	:USCG CFR-46/IEC60945

■ COMPONENTS

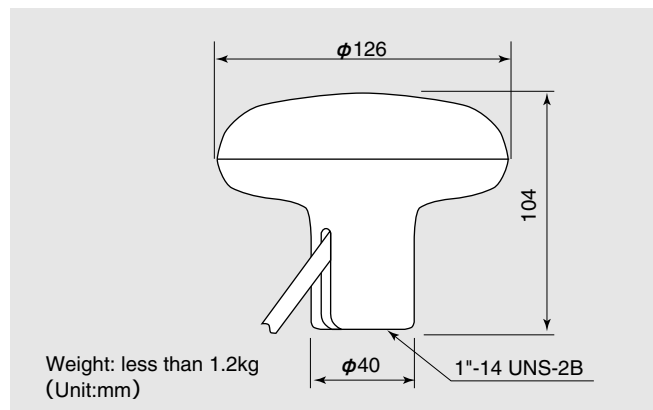
No.	Name	Type	Q'ty	Remarks
1	GPS Receiver	JLR-4330E	1	include 15m cable
2	Instruction manual		1	

●Option :15m Extension Cable CFQ-8773

■ SYSTEM CONFIGURATION



■ OUTLINE DRAWING



●Specifications subject to change without notice.



Caution

Before attempting to operate this unit, read the instruction manual thoroughly to correctly and safely operate the unit.

For further information, contact:

Seattle Branch : 1011 SW Klickitat Way, Bldg. B, Suite 100, SEATTLE WA 98134, U.S.A.
Telephone: +1(206)654-5644
Facsimile: +1(206)654-7030
Homepage: <http://www.jrcamerica.com>

JRC (UK)Limited : 1st Floor, Friars House, 157/168, Blackfriars Road, London SE1 8EZ, U.K.
Telephone: +44(0)20-7261-1188
Facsimile: +44(0)20-7803-0996



Since 1915

Japan Radio Co., Ltd.

URL <http://www.jrc.co.jp/>

Main Office: Akasaka Twin Tower(Main), 17-22, Akasaka 2-chome, Minato-ku, Tokyo 107-8432, JAPAN
Telephone: Tokyo(03)3584-8833
Facsimile: Tokyo(03)3584-8757

Overseas Branches : Seattle, London
Liaison Offices : Kaohsiung, Manila, Bangkok, Singapore, Jakarta, New Delhi, New York, Rotterdam, Piraeus, Las Palmas